



Barrier.Gate

A range of intelligent features ensures there are no barriers for you - only for car park users.

Tailor it to your specific needs

- Standard, illuminated and folding booms to choose from.
- Easy configuration with handling of up to four loops.
- Use two barriers for wide gates - both controlled by one device.

If only all your hardware was this hard-wearing

- Rust-proof: stable construction with anodized aluminium finish.
- Accident-proof: detachable spring-loaded booms or replaceable bolts minimize damage and costs.
- Tamper-proof thanks to streamlined design.

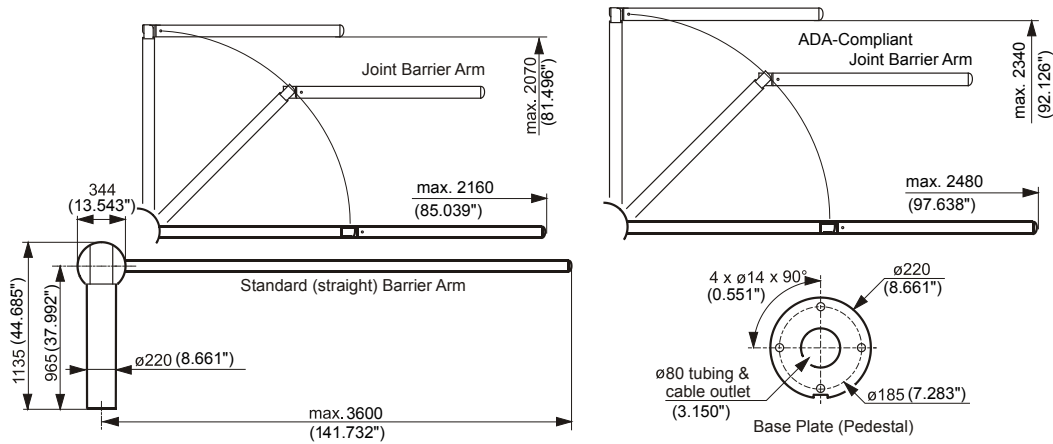
Make the most of your facilities

- Modern aesthetic suits a range of environments and can be adapted to feature your corporate colors.
- Quick and easy maintenance minimizes costs.

As much control as you need

- Link to Column.Gate and Parking.Logic software or hardware to control room for extra control.
- Detects 'following cars' and broken booms.

all dimensions in mm



Features

- Durable casing fabricated from impact-resistant plastic with aluminium-colored lacquer coating; floor stand manufactured from ALU
- Geared motor with integrated frequency converter control and slipping clutch on drive side
- Self-locking gearing with contactless switches at both terminal positions of barrier arm
- Integrated barrier breakage detection
- Opening time approx. 1.5 secs with barrier boom lengths $\leq 2,80$ m (9.2 ft)
- Barrier arm (w/ or w/o illumination): Sturdy fiberglass design; elliptic profile
- Barrier arms (w/ or w/o illumination) with a length up to 3,6 m (11.8 ft)
- Detachable barrier arms (w/ illumination) with a length up to 2,8 m (9.2 ft)
- Jointed barrier arm available for locations with restricted overhead clearance 2,07 m (6.8 ft); ADA compliant version 2,34 m (7.7 ft)
- No special tools required for installation of barrier arm, Service and maintenance free installation

Standard Version

- Barrier unit features built-in frequency converter control array, column top, tubular support frame, three-phase motor, crank drive, integrated barrier motor control, barrier arm support, mounting platform and connecting rods for secure installation for standard, jointed and detachable barrier arms

- Barrier control board with 2 inputs, 2 outputs and SIO connection to Column.Gate
- Input for external added security around the barrier for pedestrians

Options

Barrier booms

- „Multi Color“ (RGB LEDs with white boom and traffic light modes/corporate colors mode) / length 2,55 m (8.4 ft) or 3,33 m (10.9 ft)
- „Single Color“ (White LEDs with colored boom) / length 2,55 m (8.4 ft) or 3,33 m (10.9 ft)
- Detachable barrier boom (LED version 2,55 m (8.4 ft) / halogen lamp 2,80 m (9.2 ft); no special tools required for installation of barrier arm)
- Standard barrier arm (w/ or w/o halogen illumination) / length 2,80 m (9.2 ft) or 3,60 m (11.8 ft), can be shortened at any place
- Jointed barrier arm (w/o illumination) / length 2,07 m (6.8 ft) or 2,34 m (7.7 ft) (ADA compliant) overhead clearance

Function modules

- Installation of max. two double loop detectors for vehicle and passage direction detection
- I/O and operation mode module (for OEM Stand-alone function)
- Red warning light for barrier movements (installed on both sides of barrier head)
- Crash guard (Niro V2A)
- Chassis lock (locking system capable)

Technical Specifications

Dimensions	240 mm x 1135 mm x 344 mm / 9.449" x 44.685" x 13.543" (w x h x d)
Weight	34 kg (75 lbs)
Operating voltage	230 V AC / 50 Hz; 115 V AC / 60 Hz
Power Consumption	Max. 250 VA
Temperature Range	-25 °C bis +45 °C (-13 °F to +113 °F) (ambient)
Opening time (0° to 90°)	Approx. 1,5 secs (max. 2,80 m / 9.2 ft); approx. 3,0 secs (max. 3,6 m / 11.8 ft)
Pedestal / top	Anodised Aluminium
Plastic parts	RAL 9007 eggshell
Protection class	IP 33
Standards / Certifications	CE label, UL, Ukr-Sepro
Safety class	1

SKIDATA AG • Untersbergstraße 40 • A-5083 Grödig/Salzburg
 [t] +43 6246 888-0 • [f] +43 6246 888-7 • [e] info@skidata.com [w] www.skidata.com • Version 2.0 • 22.10.2010

©2010 SKIDATA AG. All rights reserved.

The content provided herein is subject to change and possible editorial errors. Country-specific versions may vary. SKIDATA® is a registered trademark of SKIDATA AG in the USA, the European Union and other countries. Terms and conditions of the authorized SKIDATA distributor apply. The operator is fully responsible for compliance with any legal provisions applicable to the operation of the products.