



Picture may vary from actual product

## Barrier.Gate 'Options'

We understand you've got different needs so we've come up with a range of solutions.

### Maximum visibility, maximum impact

- Illuminated booms feature up to three colors you can link to different boom positions.
- Add red warning lights on the barriers head to increase safety when it's operating.

### Plenty of ways to make it your own

- Choose up to three colors with customizable color codes or use predefined traffic modes.
- Incorporate your choice of colors to suit any purpose or to tie into your corporate design.

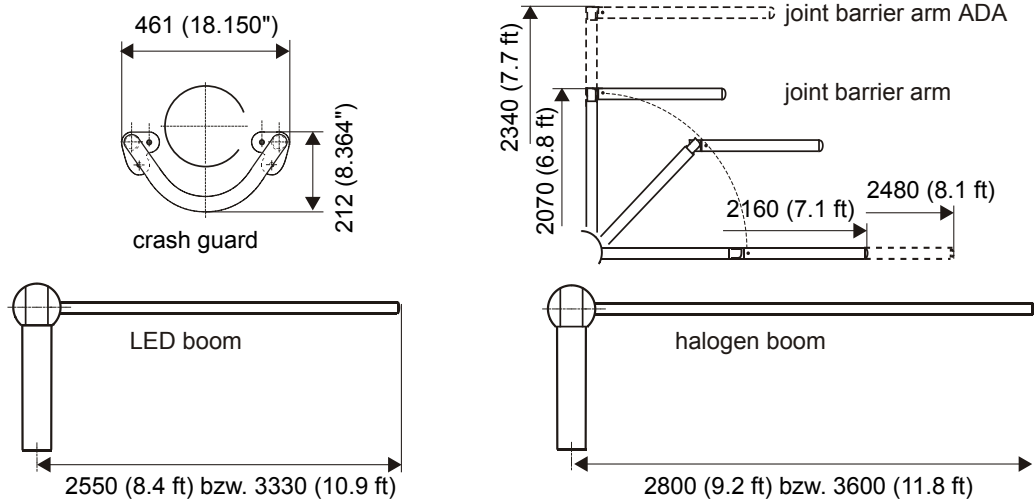
### Adapts easily to local conditions

- Address site height limitations with folding booms available in two open heights.
- Connect additional input/output module for specialized hardwired solutions.

### Address day-to-day issues with ease

- Detachable click-in booms or expendable boom bolts minimize damage and operational costs.
- Add loop detectors for intelligent loop handling and choose the local operating mode you need.

all dimensions in mm



## LED Booms

- Fully mounting compatible to 'Halogen Boom'
- Electronic components (including barrier breakage sensor) fully compatible
- Temperature-resistant and vibration-resistant
- Weatherproof and dampproof
- Available boom holding frames: Detachable / Fixed / Fixed-GB

### Multi Color Boom

- White transparent barrier boom with holding frame
- Protective red rubber bead at the bottom of the boom profile
- Evenly illuminated by a colored LED ribbon
- Operation modes can be easily configured on site
- Can be shortened (by a technician) at 21 cm (8.268") intervals
- Available in two lengths:  
Standard max. 2,55 m (8.4 ft);  
Extended max. 3,33 m (10.8 ft)
- Smart CPU with highly integrated POWER LED ribbon
  - **Easy-Color-Code**
  - The color setting only needs to be defined once
  - 16 values for each LED color
  - Delay for color change can be up to 1,5 sec.
  - Immediate or smooth color change
    - **Traffic Light Colors mode**
    - Two-color or three-color traffic light mode
    - Fixed color values
    - **Corporate Design Color mode**
    - One color can be freely configured on site
    - **Smart Colors mode**
    - Two or three colors can be defined on site and allocated to the different positions of the barrier boom
    - Color change delays and color change modes can be combined to a number of different variations

### Single Color Boom

- Yellow barrier boom with holding frame
- Protective black rubber bead at the bottom of the boom profile
- Evenly illuminated by a white LED ribbon
- Can be shortened (by a technician) at 21 cm (8.268") intervals
- Available in two lengths: Standard max. 2,55 m (8.4 ft)  
Extended max. 3,33 m (10.8 ft)
- Power supply board inside the barrier boom holding frame
- Highly integrated white POWER LED ribbon

## Chassis Lock

- Locking system capable

## Standard Booms

### Halogen Boom

- Yellow barrier boom with holder
- Protective black rubber bead at the bottom of the boom profile
- Illumination intensity decreases towards the outer end
- +12 V DC / 20 W miniature halogen lamp
- Lamp holder integrated into end cap of barrier boom
- Barrier boom can be shortened at any place by means of a saw
- Available in two lengths:  
Standard max. 2,80 m (9.2 ft);  
Extended max. 3,60 m (12 ft)

### Jointed barrier arm (2 versions)

- Without illumination
- Yellow-colored glass fibre reinforced plastic
- A) Length: 2,16 m (7.1 ft) / Height: 2,07 m (6.8 ft)
- B) Length: 2,48 m (8.1 ft) / Height: 2,34 m (7.7 ft) (ADA version)

## Red warning light

- Red warning lights on the barriers head (both directions) to increase safety when it's operating

## Safety light barrier

- Built-in safety light barrier input for external control of the area around the parking barrier provides added security for pedestrians

## Loop detectors

- Installation of max. two double loop detectors for vehicle and passage direction detection

## Crash guard

- Protects barrier from damages of vehicles
- Niro V2A, must be conserved dependent on installation location

## I/O Extension board

- 6 additional inputs and outputs
- Additional SIO for bidirectional lanes with one barrier only
- Operation mode switch