



Picture may vary from actual product

Column.Gate RFID

A parking column that offers instant access for cardholders.

The affordable option for contract parking

- High modular approach allows you to mix and match feature to meet your specific needs.
- Optional RFID- and/or FitAllSlot Reader for simple extra wide barcode tickets.
- Compatible with third-party readers and devices.

Puts you in the driver's seat

- Link to external systems like automatic doors, video, alarms, traffic lights, etc. for seamless operation.
- Control access by linking it to centralized monitoring systems like Operator.Services or Parking.Logic.

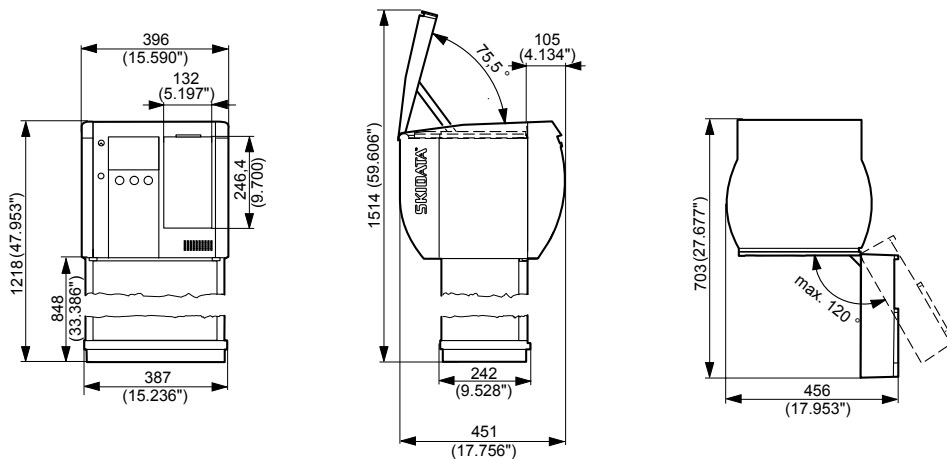
Anything is possible

- Mount different modules on the dedicated front area for an easy local solution.
- Optional crystal clear intercom provides access to a support line at the push of a button.

The perfect extension of your corporate ID

- Optional high impact graphic user interface can be used to feature company branding.
- Adapt the modern anodized aluminium finish to feature your corporate colors.

all dimensions in mm



Features

Control functions for (section/segment) entry and exit gates:

- Rapid validation of data carriers with modular equipment: RFID reader, Fit-All-Slot reader and/or OEM reader
- Optional, professional QVGA color graphic display
- 3 buttons for optional display and/or OEM reader
- Instant assistance and communication via optional intercom call station
- Support of a broad spectrum of regional OEM reader models

Modularity for operators and interface support:

- Highly flexible, modular configuration options (Note: device does NOT accommodate coder modules)
- Lockable, swivel-type front panel (for convenient service/maintenance access)
- Side-swinging front panel (without ticket slot or ticket button)
- enclosure cover (opens upwards to allow easy access for device/module maintenance)
- Area for OEM reader, key switch, keypad, etc.
- Beeper indicates operating status
- Modular electronic control for local I/O integration

Standard Version

- Modular, highly maintenance-friendly construction
- Weather-proof, thanks to use of high-quality, durable materials, e.g. aluminum
- Support stand consists of pedestal, floor stand and column door panel, including lock and column top section (base plate, side walls, rear panel and cover)
- Interface card for connecting barrier gate and RFID reader; two RS232 ports for OEM (third-party) reader
- Prepared for connection of a display (black front and cables)
- 3 built-in keys below the display
- Call button, microphone and loudspeaker for optional analog Intercom module
- Power supply, automatically controlled heating and air circulation ventilator
- Switch (for manually opening gate and setting to Keep Open and Keep Closed states)

Options (selection)

- RFID reader (e.g. for keycards for contract parkers)
- Fit-All-Slot reader (e.g. for bar-coded validations.....)
- These and many other options are listed and explained in more detail in factsheet Column.Gate 'Options'

Technical Specifications

Dimensions / Weight	396 mm x 1218 mm x 451 mm / 15.590 " x 47.953 " x 17.756 " (w x h x d) / approx. 25 kg (55 lbs)
Operating voltage	230 V AC / 50 Hz; 115 V AC / 60 Hz (manually switchable)
Max. power consumption	600 W
Temperature range	-30 °C to +45 °C (-22 °F to +113 °F) (ambient)
Enclosure material	Floor stand: Aluminum, eloxed / top section: Plastic
Enclosure color	Top section: RAL 9007, half matte / Front section: RAL 7043 Traffic Grey B
Colors of arrow and RFID	Yellow - Pantone 114 U / Custom color finish: optionally White - RAL 9010
Humidity	Up to 90 % (non condensing)
Protection class	IP 33
Norms	CE mark
Norms (option only)	FCC: RFID reader is FCC certified component UL + FCC: certified ex works only with built-in RFID reader
Host interface	Ethernet (10 MBit/s)
RFID reader (optional)	For 13 MHz RFID-based data carriers, supports 125 kHz keycards until Dec. 31, 2016 (EOL)
Throughput	850 keycards (contract parkers) per hour, with barrier